

Microcassette - Corder

Operating Instructions

Mode d'emploi

Manual de instrucciones (en el reverso)

Manual de instruções (no verso)

M-417/427/427C/437/529V/539V/579V

Sony Corporation ©1996 Printed in China



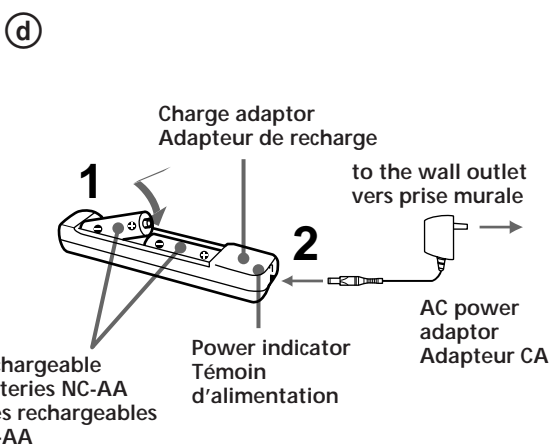
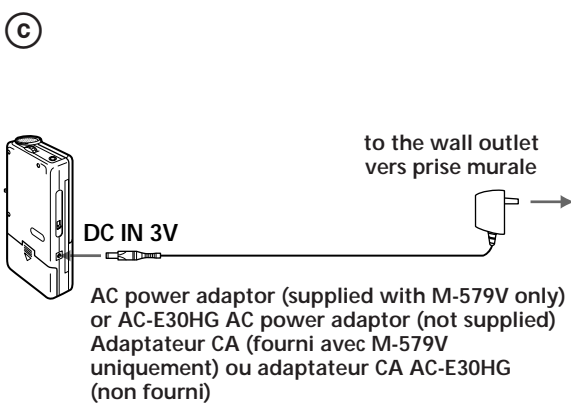
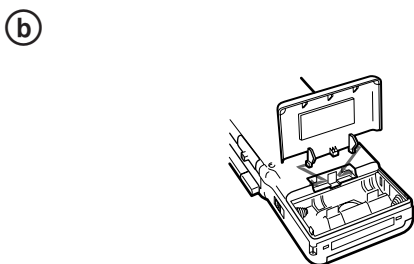
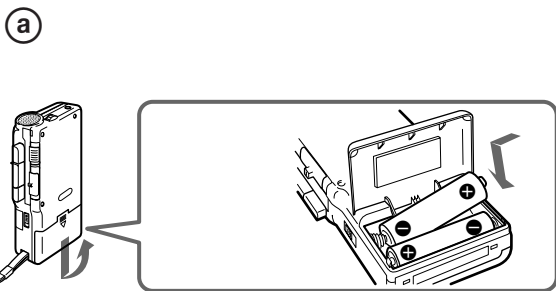
About This Manual

The instructions in this manual are for the M-417, M-427, M-427C, M-437, M-529V, M-539V and M-579V. Before you start reading, check your model number. The M-579V is the model used for illustration purposes. Any differences in operation are clearly indicated in the text, for example, "M-579V only".

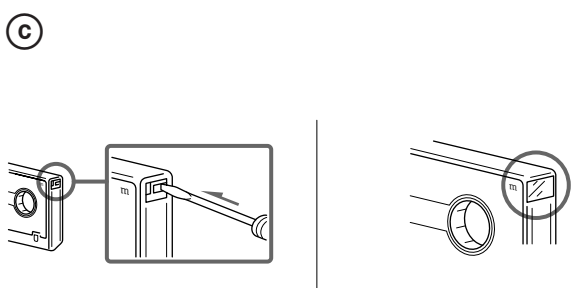
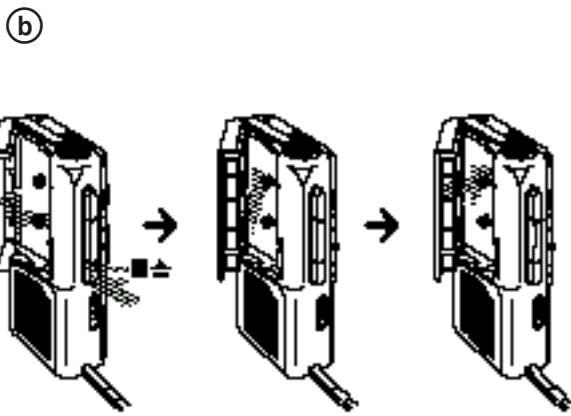
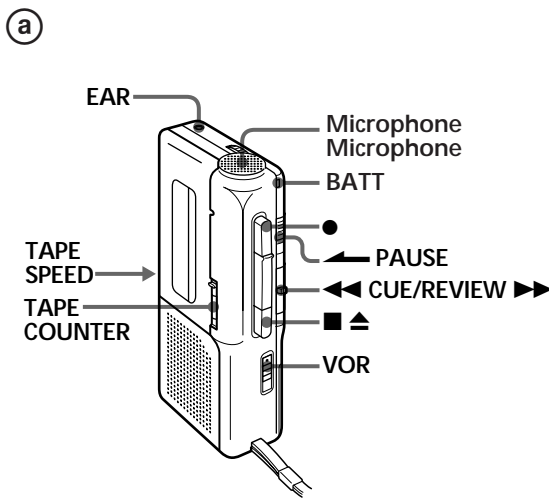
A propos de ce mode d'emploi

Les instructions de ce manuel sont destinées aux modèles M-417, M-427, M-427C, M-437, M-529V, M-539V et M-579V. Avant de lire ce mode d'emploi, vérifiez le numéro de votre modèle. Le modèle M-579V est utilisé dans ce manuel à titre de référence dans les illustrations. Toute différence de fonctionnement est clairement spécifiée dans le texte, par exemple "M-579V uniquement."

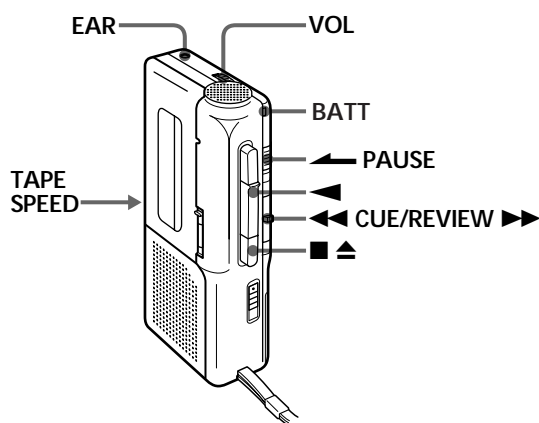
A



B



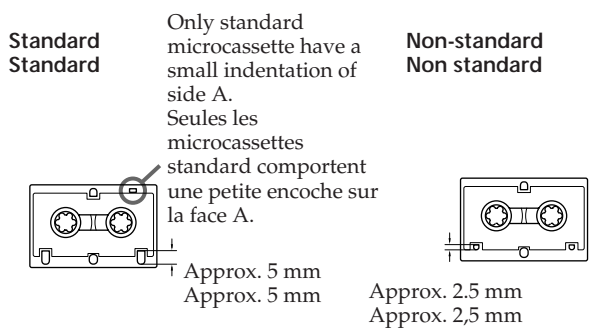
C



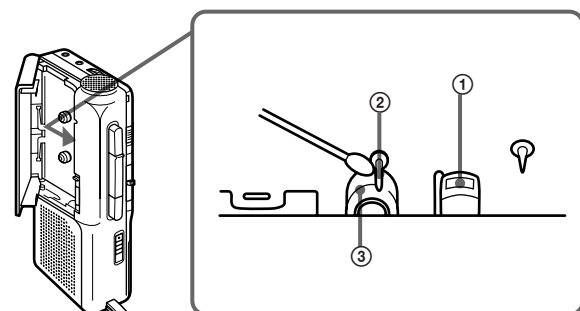
D



E



F



Welcome!

Thank you for purchasing the Sony Microcassette-Corder. Some features are:

- The BATT lamp indicates when to replace the batteries.
- The VOR (Voice Operated Recording) system (M-529V/539V/579V only) starts and stops recording automatically in response to the sound.
- Edit function—You can start recording directly from the playback mode by pressing the ● button to correct a previously recorded portion.
- Tape counter (M-529V/539V/579V only)
- Automatic shut-off mechanism at the end of the tape (in the recording/playback mode only)
- Stop-pause-release function—The pause switch is released automatically when the ■▲ button is depressed so that you don't miss a recording chance.

Preparing Power Sources

Choose one of the following power sources.

Dry Batteries (see Fig. A-①)

Make sure that nothing is connected to the DC IN 3V jack.

- 1 Open the battery compartment lid.
- 2 Insert two R6 (size AA) batteries with correct polarity and close the lid.

If the battery compartment lid is accidentally detached (see Fig. A-②)

Attach it as illustrated.

When to replace the batteries

Replace the batteries with new ones when the BATT (battery) lamp dims and the sound is distorted.

Battery life (Approx. hours)

Batteries	Recording
Sony R6P (SR)	5.5
Sony alkaline LR6 (SG)	19
NC-AA (M-579V only)	6.0

House Current (see Fig. A-③)

Connect the AC power adaptor to DC IN 3V and to a wall outlet. Use the AC power adaptor (supplied with M-579V only) or the AC-E30HG AC power adaptor (not supplied). Do not use any other AC power adaptor.

Polarity of the plug



Rechargeable batteries (supplied with M-579V only)

Charge the rechargeable batteries only with the supplied charge adaptor and the AC power adaptor. The rechargeable batteries can be charged approximately 500 times.

Be sure to charge the rechargeable batteries for approximately 8 hours before using them. The unit can be used for recording for approximately 6.0 hours with the fully charged rechargeable batteries.

To charge (see Fig. A-④)

The power indicator of the charge adaptor remains lit as long as power is supplied from the wall outlet.

To use (see Fig. A-⑤)

Notes

- Use the supplied two rechargeable batteries only with the supplied charge adaptor.
- If there is distortion of sound or excessive noise, or if the unit does not operate properly, turn off the unit and recharge the two rechargeable batteries together.
- The rechargeable batteries will discharge even when not in use. Be sure to charge them before use.
- Recharge the two rechargeable batteries together. Otherwise, the charging cannot be done.
- Be sure to remove the rechargeable batteries from the charge adaptor to avoid overcharging (more than 20 hours) when charging has been completed.
- Charging and operation should be made in temperature ranges 5°C to 40°C (40°F to 104°F).
- The charge adaptor will become warm during charging but this is not a sign of problem.
- Do not use or leave the charge adaptor in a location near heat sources or in a place subject to direct sunlight or excessive moisture.
- Unplug the AC power adaptor from the wall outlet when it is not to be used for long.
- Do not attempt to charge dry batteries.

Recording (see Fig. B-①)

- 1 (M-529V/539V/579V only) Press the reset button of the TAPE COUNTER.
- 2 Press ■▲ and insert a standard microcassette with the side to start recording facing the lid (see Fig. B-②).
- 3 Select the desired tape speed.
2.4 cm for optimum sound (recommended for normal use): A 30-minute recording can be made using both sides of the MC-30 microcassette.
1.2 cm for longer recording time: A 60-minute recording can be made using both sides of the MC-30 microcassette.
- 4 (M-529V/539V/579V only) Set VOR to H, L or OFF. If you set VOR to H or L, the unit automatically starts recording the sound and pauses when there is no sound (you can save tapes and batteries).
H: To record at meetings or in a quiet and/or spacious place.
L: To record for dictation or in a noisy place.
When the sound is not loud enough, set it to OFF, or the unit may not start recording.
- 5 Press ●.
Recording starts.
Recording level is fixed.

To	Press or slide
Stop recording	■▲
Start recording during playback	● during playback (the unit becomes in the recording mode)
Review the portion just recorded	Push up ◀◀CUE/▶▶REVIEW toward ▶▶REVIEW during recording. Release the button at the point to start playback.
Pause recording	Slide ◀◀PAUSE in the direction of the arrow. The BATT lamp goes off.
Take out a cassette	■▲

Note

Select the 2.4 cm tape speed for recording, if you play back the recorded tape with another unit. Otherwise, the sound quality may be changed.

Notes on VOR (Voice Operated Recording) (M-529V/539V/579V only)

- The VOR system depends on the environmental conditions. If you cannot get the desired results, set VOR to OFF.
- When you use the system in a noisy place, the unit will stay in the recording mode. If the sound is too soft, on the contrary, the unit will not start recording. Set VOR to H (high) or L (low) depending on the conditions.

To monitor the sound

Connect the earphone (not supplied) to the EAR jack. The monitor volume cannot be adjusted by VOL.

To prevent a cassette from being accidentally recorded over (see Fig. B-③)

Break out and remove the cassette tabs. To reuse the cassette for recording, cover the tab hole with adhesive tape.

Playing a Tape (see Fig. C)

- 1 Insert a cassette with the side to start playing facing the lid.
- 2 Select the tape speed to the same speed as that used for recording.
- 3 Press ◀.
- 4 Adjust the volume.

To	Press or slide
Stop playback/stop fast forward or rewind*	■▲
Pause playback	Slide ◀◀PAUSE in the direction of the arrow. The BATT lamp goes off.
Fast forward	Slide ◀◀CUE/▶▶REVIEW toward ◀◀CUE during stop**
Rewind	Slide ◀◀CUE/▶▶REVIEW toward ▶▶REVIEW during stop.**
Search forward during playback (CUE)	Keep ◀◀CUE/▶▶REVIEW pushed down during playback and release it at the point you want.**
Search backward during playback (REVIEW)	Keep ◀◀CUE/▶▶REVIEW pushed up during playback and release it at the point you want.**

* If you leave the unit after the tape has been wound or rewound, the batteries will be consumed rapidly. Be sure to depress ■▲.

** The tape moves faster in the rewind/REVIEW mode than in the fast forward/CUE mode.

At the end of the tape

In the recording or playback mode, the tape stops at the end of the tape and the locked buttons will be released automatically (Automatic shut-off mechanism). After fast forward or rewind, be sure to return ◀◀CUE/▶▶REVIEW to the center.

Recording/Playback with the Connected Equipment

Dubbing onto another tape recorder (see Fig. D)

Set this unit to the playback mode and another tape recorder to the recording mode.

Precautions

On power

- Operate the unit only on 3 V DC.
For AC operation, use the AC power adaptor recommended for the unit. Do not use any other type. For battery operation, use two R6 (size AA) batteries.
- The nameplate indicating operating voltage, etc., is located on the bottom of the unit.

On the unit

- Use only the **MICROCASSETTE**™ (standard microcassettes) with this unit. Non-standard cassette cannot be used because the “L” dimension (see Fig. E) is different.
- Do not leave the unit in a location near heat sources, or in a place subject to direct sunlight, excessive dust or mechanical shock.
- Should any solid object or liquid fall into the unit, remove the batteries or disconnect the AC power adaptor, and have the unit checked by qualified personnel before operating it any further.
- Keep personal credit cards using magnetic coding or spring-wound watches etc. away from the unit to prevent possible damage from the magnet used for the speaker.
- When you do not use the unit for long, remove the batteries to avoid damage caused by battery leakage and subsequent corrosion.
- If the unit has not been used for long, set it in the playback mode and warm it up for a few minutes before inserting a tape.

If you have any questions or problems concerning your unit, please consult your nearest Sony dealer.

Troubleshooting

Should any problem persist after you have made these checks, consult your nearest Sony dealer.

A cassette cannot be inserted.

- The cassette is being inserted in the wrong way. (The cassette should be inserted in the lid with the tape side facing you.)
- ◀ has been already pressed.

● cannot be pressed.

- There is no cassette in the cassette compartment.
- The cassette tab has been removed.

● or ◀ cannot be pressed.

- The tape has reached the end.
- After the automatic shut-off, ◀◀PAUSE is slid in the direction of the arrow.

The unit does not operate.

- The batteries have been inserted with incorrect polarity
- The batteries are weak. Replace both batteries with new ones.
- ◀◀PAUSE is slid in the direction of the arrow.
- The AC power adaptor or car battery cord is connected to the unit only and you are going to use the unit on batteries.

No sound comes from the speaker.

- The earphone is plugged in.
- The volume is turned down completely.

The sound drops out or comes with excessive noise.

- The volume is turned down completely.
- The batteries are weak. Replace both batteries with new ones.
- The head is contaminated. See “Maintenance”.

Tape speed is too fast or too slow in the playback mode.

- Improper setting of the TAPE SPEED switch. Set it to the same speed as that used for recording.

Tape speed is faster than the normal playback speed.

- The TAPE SPEED switch is set between the 1.2 cm and 2.4 cm positions.

Recording cannot be made.

- Connection is made incorrectly.
- The batteries are weak. Replace both batteries with new ones.
- The head is contaminated.
- Improper setting of the VOR switch (M-529V/539V/579V only). Set it to H or OFF.

Recording is interrupted.

- The VOR switch (M-529V/539V/579V only) is set to H or L. When you do not use VOR, set it to OFF.

Recording cannot be erased completely.

- The head is contaminated.

Maintenance (see Fig. E)

To clean the tape head and path

Press ◀ and wipe the head ①, capstan ② and the pinch roller ③ with a cotton swab, moistened with alcohol every 10 hours of use.

To clean the exterior

Use a soft cloth slightly moistened in water. Do not use alcohol, benzine or thinner.

Specifications

Tape	MICROCASSETTE ™ (normal position type)
Recording system	2-track 1-channel monaural
Speaker	Approx. 3.6 cm (1 ¹ / ₁₆ in.) dia.
Tape speed	2.4 cm/s (1 ³ / ₁₆ ips), 1.2 cm/s (1 ¹ / ₃₂ ips)
Frequency range	300 – 4,000 Hz
Output	Earphone jack (minijack) for 8 – 300 ohms earphone
Power output (at 10% harmonic distortion)	160 mW
Battery life (recording)	See “Preparing Power Sources”.
Power requirements	• Two R6 (size AA) batteries: 3 V DC • Sony AC-E30HG AC power adaptor (not supplied): 220/230 V AC, 50 Hz (European model) 120/220 V AC, 50/60 Hz (model for other countries) (for M-427/427C/437/529V/539V only)
Dimensions (w/h/d)	Approx. 66.7 x 120.8 x 25 mm incl. projecting parts and controls
Mass	Approx. 160 g incl. batteries
Supplied accessories	Microcassette tape MC-30 (1) (M-427C/437, M-529V (European model) and M-539V (European model) only) Handstrap (1) (M-529V/539V/579V only) AC power adaptor (1) (M-579V only) Charge adaptor (1) (M-579V only) Rechargeable batteries NC-AA, 1.2 V, 700 mAh, Ni-Cd (2) (M-579V only)

Design and specifications are subject to change without notice.

Optional accessories

Microcassette MC-60, MC-30
Earphone ME-81, ME-L82
Connecting cord RK-G64HG (miniplug to miniplug with attenuator)
AC power adaptor AC-E30HG

Piles alcalines.

Piles alcalines.

Piles alcalines.

Piles alcalines.

Piles alcalines.

Piles alcalines.

Piles alcalines.

Piles alcalines.

Piles alcalines.

Piles alcalines.

Piles alcalines.

Piles alcalines.

Piles alcalines.

Piles alcalines.

Piles alcalines.

Piles alcalines.

Piles alcalines.

Piles alcalines.

Piles alcalines.

Piles alcalines.

Piles alcalines.

Piles alcalines.

Piles alcalines.

Piles alcalines.

Piles alcalines.

Piles alcalines.

Piles alcalines.

Piles alcalines.

Piles alcalines.

Piles alcalines.

Piles alcalines.

Piles alcalines.

Piles alcalines.

Piles alcalines.

Piles alcalines.

Piles alcalines.

Piles alcalines.

Piles alcalines.

Piles alcalines.

Piles alcalines.

Piles alcalines.

Piles alcalines.

Piles alcalines.

Piles alcalines.

Piles alcalines.

Piles alcalines.

Piles alcalines.

Piles alcalines.

Piles alcalines.

Piles alcalines.

Piles alcalines.

Piles alcalines.

Piles alcalines.

Piles alcalines.

Piles alcalines.

Piles alcalines.

Piles alcalines.

Piles alcalines.

Piles alcalines.

Piles alcalines.

Piles alcalines.

Piles alcalines.

Piles alcalines.

Piles alcalines.

Piles alcalines.

Piles alcalines.

Piles alcalines.

Piles alcalines.

Piles alcalines.

Piles alcalines.

Piles alcalines.

Piles alcalines.

Piles alcalines.

Piles alcalines.

Piles alcalines.

Piles alcalines.

Piles alcalines.

Piles alcalines.

Piles alcalines.

Piles alcalines.

Piles alcalines.

Piles alcalines.

Piles alcalines.

Piles alcalines.

Piles alcalines.

Piles alcalines.

Piles alcalines.

Piles alcalines.

Piles alcalines.

Piles alcalines.

Piles alcalines.

Piles alcalines.

Piles alcalines.

Piles alcalines.

Piles alcalines.

Piles alcalines.

Piles alcalines.

Piles alcalines.

Piles alcalines.

Piles alcalines.

Piles alcalines.

Piles alcalines.

Piles alcalines.

Piles alcalines.

Piles alcalines.

Piles alcalines.

Piles alcalines.

Piles alcalines.

Piles alcalines.

Piles alcalines.

Piles alcalines.

Piles alcalines.

Piles alcalines.

Piles alcalines.

Piles alcalines.

Piles alcalines.

Piles alcalines.

Piles alcalines.

Piles alcalines.

Piles alcalines.

Piles alcalines.

Piles alcalines.

Piles alcalines.

Piles alcalines.

Piles alcalines.

Piles alcalines.

Piles alcalines.

Piles alcalines.

Piles alcalines.

Piles alcalines.

Piles alcalines.

Piles alcalines.

Piles alcalines.

Piles alcalines.

Piles alcalines.

Piles alcalines.

Piles alcalines.

Piles alcalines.

Piles alcalines.

Piles alcalines.

Piles alcalines.

Piles alcalines.

Piles alcalines.

Piles alcalines.

Piles alcalines.

Piles alcalines.

Piles alcalines.

Piles alcalines.

Piles alcalines.

Piles alcalines.

Piles alcalines.

Piles alcalines.

Piles alcalines.

Piles alcalines.

Piles alcalines.

Piles alcalines.

Piles alcalines.

Piles alcalines.

Piles alcalines.

Piles alcalines.

Piles alcalines.

Piles alcalines.

Piles alcalines.

Bienvenue !

Nous vous remercions d’avoir fait l’acquisition d’un magnétophone à microcassettes Sony. Voici quelques-unes de ses caractéristiques fonctionnelles.

- Le témoin BATT indique lorsqu’il faut remplacer les piles.
- Le système VOR (enregistrement commandé par fréquence vocale) (M-529V/539V/579V uniquement) démarre et arrête automatiquement l’enregistrement en fonction des impulsions sonores.
- Fonction de montage —Vous pouvez directement commencer l’enregistrement depuis le mode de lecture en appuyant sur la touche ●. Cette fonction est très pratique pour corriger une section déjà enregistrée.
- Compteur de bande (M-529V/539V/579V uniquement).
- Mécanisme de coupure automatique (dans les modes d’enregistrement et de lecture uniquement).
- Désactivation de pause —La touche de pause est libérée automatiquement lorsque l’on appuie sur la touche ■▲ afin d’éviter de rater une opportunité d’enregistrement.

Sélection de la source d’alimentation

Choisissez l’une des sources d’alimentation présentées ci-dessous.

Piles sèches (voir Fig. A-①)

- Assurez-vous que rien n’est raccordé à la prise DC IN 3V.
- Ouvrez le couvercle du logement des piles.
 - Introduisez deux piles R6 (type AA) (non fournies) en respectant la polarité et refermez le couvercle.

Si le couvercle du logement des piles est enlevé accidentellement (voir Fig. A-②)
Positionnez-le comme illustré.

Positionnement du couvercle du logement des piles.

Positionnement du couvercle du logement des piles.

Positionnement du couvercle du logement des piles.

Positionnement du couvercle du logement des piles.

Positionnement du couvercle du logement des piles.

Positionnement du couvercle du logement des piles.

Positionnement du couvercle du logement des piles.

Positionnement du couvercle du logement des piles.

Positionnement du couvercle du logement des piles.

Positionnement du couvercle du logement des piles.

Positionnement du couvercle du logement des piles.

Positionnement du couvercle du logement des piles.

Positionnement du couvercle du logement des piles.

Positionnement du couvercle du logement des piles.

Positionnement du couvercle du logement des piles.

Positionnement du couvercle du logement des piles.

Positionnement du couvercle du logement des piles.

Positionnement du couvercle du logement des piles.

Positionnement du couvercle du logement des piles.

Positionnement du couvercle du logement des piles.

Positionnement du couvercle du logement des piles.

Positionnement du couvercle du logement des piles.

Positionnement du couvercle du logement des piles.

Positionnement du couvercle du logement des piles.

Positionnement du couvercle du logement des piles.

Positionnement du couvercle du logement des piles.

Positionnement du couvercle du logement des piles.

Positionnement du couvercle du logement des piles.

Positionnement du couvercle du logement des piles.

Positionnement du couvercle du logement des piles.

Positionnement du couvercle du logement des piles.

Positionnement du couvercle du logement des piles.

Positionnement du couvercle du logement des piles.

Positionnement du couvercle du logement des piles.

Positionnement du couvercle du logement des piles.

Positionnement du couvercle du logement des piles.

Positionnement du couvercle du logement des piles.

Positionnement du couvercle du logement des piles.

Positionnement du couvercle du logement des piles.

Positionnement du couvercle du logement des piles.

Positionnement du couvercle du logement des piles.

Positionnement du couvercle du logement des piles.

Positionnement du couvercle du logement des piles.

Positionnement du couvercle du logement des piles.

Positionnement du couvercle du logement des piles.

Positionnement du couvercle du logement des piles.

Positionnement du couvercle du logement des piles.

Positionnement du couvercle du logement des piles.

Positionnement du couvercle du logement des piles.

Positionnement du couvercle du logement des piles.

Positionnement du couvercle du logement des piles.

Positionnement du couvercle du logement des piles.

Positionnement du couvercle du logement des piles.

Positionnement du couvercle du logement des piles.

Positionnement du couvercle du logement des piles.

Positionnement du couvercle du logement des piles.

Positionnement du couvercle du logement des piles.

Positionnement du couvercle du logement des piles.

Positionnement du couvercle du logement des piles.

Positionnement du couvercle du logement des piles.

Positionnement du couvercle du logement des piles.

Positionnement du couvercle du logement des piles.

Positionnement du couvercle du logement des piles.

Positionnement du couvercle du logement des piles.

Positionnement du couvercle du logement des piles.

Positionnement du couvercle du logement des piles.

Positionnement du couvercle du logement des piles.

Positionnement du couvercle du logement des piles.

Positionnement du couvercle du logement des piles.

Positionnement du couvercle du logement des piles.

Positionnement du couvercle du logement des piles.

Positionnement du couvercle du logement des piles.

Positionnement du couvercle du logement des piles.

Positionnement du couvercle du logement des piles.

Positionnement du couvercle du logement des piles.

Positionnement du couvercle du logement des piles.

Positionnement du couvercle du logement des piles.

Positionnement du couvercle du logement des piles.

Positionnement du couvercle du logement des piles.

Positionnement du couvercle du logement des piles.

Positionnement du couvercle du logement des piles.

Positionnement du couvercle du logement des piles.

Positionnement du couvercle du logement des piles.

Positionnement du couvercle du logement des piles.

Positionnement du couvercle du logement des piles.

Positionnement du couvercle du logement des piles.

Positionnement du couvercle du logement des piles.

Positionnement du couvercle du logement des piles.

Positionnement du couvercle du logement des piles.

Positionnement du couvercle du logement des piles.

Positionnement du couvercle du logement des piles.

Positionnement du couvercle du logement des piles.

Positionnement du couvercle du logement des piles.

Positionnement du couvercle du logement des piles.

Positionnement du couvercle du logement des piles.

Positionnement du couvercle du logement des piles.

Positionnement du couvercle du logement des piles.

Positionnement du couvercle du logement des piles.

Positionnement du couvercle du logement des piles.

Positionnement du couvercle du logement des piles.

Positionnement du couvercle du logement des piles.

Positionnement du couvercle du logement des piles.

Positionnement du couvercle du logement des piles.

Positionnement du couvercle du logement des piles.

Positionnement du couvercle du logement des piles.

Positionnement du couvercle du logement des piles.

Positionnement du couvercle du logement des piles.

Positionnement du couvercle du logement des piles.

Positionnement du couvercle du logement des piles.

Positionnement du couvercle du logement des piles.

Positionnement du couvercle du logement des piles.

Positionnement du couvercle du logement des piles.

Positionnement du couvercle du logement des piles.

Positionnement du couvercle du logement des piles.

Pour	Pressez ou faites coulisser
Stopper l’enregistrement	La touche ■▲
Démarrer l’enregistrement en mode de lecture	La touche ● durant la lecture (l’appareil passe en mode d’enregistrement)
Ecouter la dernière séquence enregistrée	Relevez la touche ◀◀ CUE/ ▶▶ REVIEW vers la position ▶▶ REVIEW durant l’enregistrement. Relâchez la touche à l’endroit où vous souhaitez commencer la lecture.
Activer la pause d’enregistrement	Faites coulisser la touche ↔ PAUSE dans le sens de la flèche. Le témoin BATT s’éteint.
Retirer une cassette	La touche ■▲

Remarque
Sélectionnez la vitesse de défilement de 2,4 cm pour l’enregistrement si la cassette doit être lue sur un autre appareil. Sinon, la qualité sonore pourrait s’en trouver altérée.

Remarques sur le système VOR d’enregistrement commandé par fréquence vocale (M-529V/539V/579V uniquement)

- Le système VOR dépend des conditions ambiantes. Si vous ne parvenez pas à obtenir le résultat désiré, placez VOR en position OFF.
- Lorsque vous utilisez l’appareil dans un local animé, l’appareil reste continuellement en mode d’enregistrement. En revanche, si les sons sont trop faibles, l’enregistrement ne démarre pas. Réglez VOR sur H (High) ou L (Low) suivant les conditions ambiantes.

Contrôle de la qualité sonore

Branchez les écouteurs (non fournis) sur la prise EAR. Le volume du moniteur ne peut pas être ajusté au moyen de VOL.

Comment éviter d’enregistrer accidentellement une cassette enregistrée (voir Fig. B-①)

Brisez les languettes de protection de la cassette. Si vous souhaitez réutiliser la cassette en vue d’un enregistrement, recouvrez de bande adhésive le logement de la languette de protection.

Brisez les languettes de protection de la cassette.

Brisez les languettes de protection de la cassette.

Brisez les languettes de protection de la cassette.

Brisez les languettes de protection de la cassette.

Brisez les languettes de protection de la cassette.

Brisez les langu

Acerca de este manual

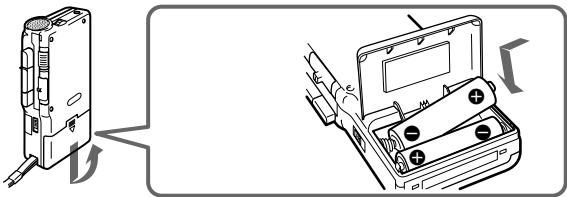
Las instrucciones de este manual hacen referencia a los modelos M-417, M-427, M-427C, M-437, M-529V, M-539V y M-579V. Antes de comenzar a leerlas, compruebe el número de modelo. Se ha utilizado el modelo M-579V para las ilustraciones. Cualquier diferencia de funcionamiento se indica claramente en el texto, por ejemplo, "sólo para M-579V."

Sobre este manual

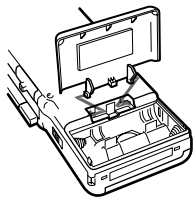
As instruções contidas neste manual referem-se aos modelos M-417, M-427, M-427C, M-437, M-529V, M-539V e M-579V. Antes de começar a ler o manual, verifique o número do seu modelo. O modelo M-579V é utilizado para fins ilustrativos. Todas as diferenças de funcionamento entre os modelos estão indicadas no texto de forma explícita, por exemplo, "só no modelo M-579V."

A

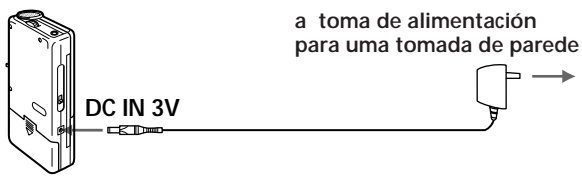
(a)



(b)



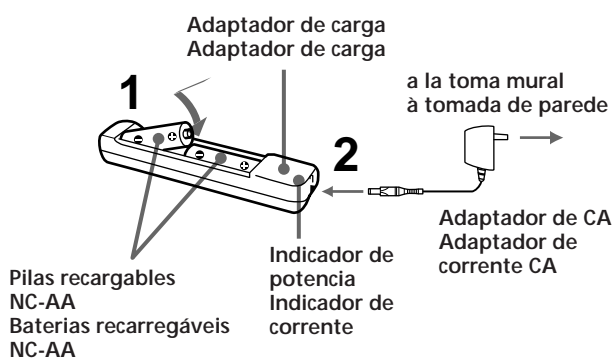
(c)



a toma de alimentación para una tomada de pared

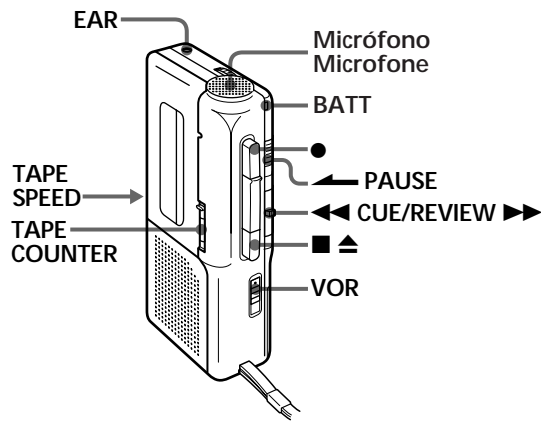
Adaptador de CA (suministrado con M-579V solamente) o adaptador AC-E30HG (no suministrado).
Adaptador de corrente CA (fornecido apenas com o modelo M-579V) ou o adaptador de corrente CA AC-E30HG (não fornecido).

(d)

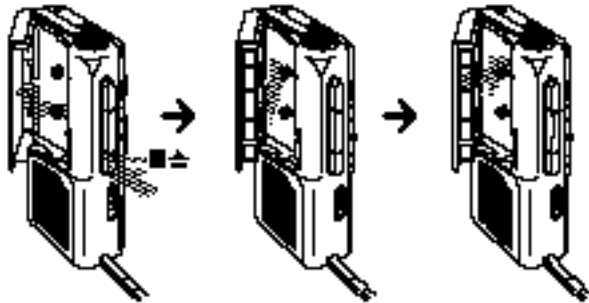


B

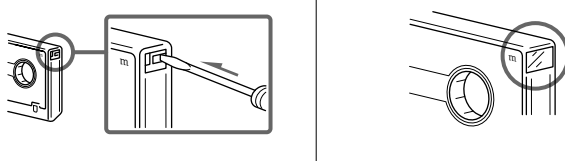
(a)



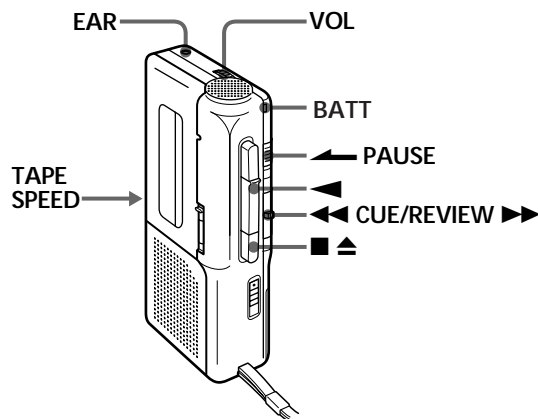
(b)



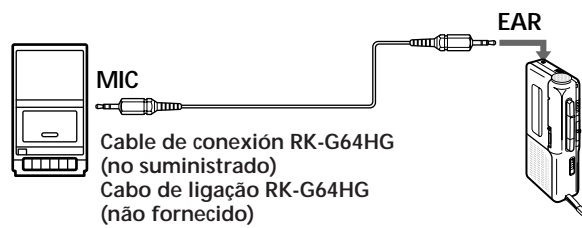
(c)



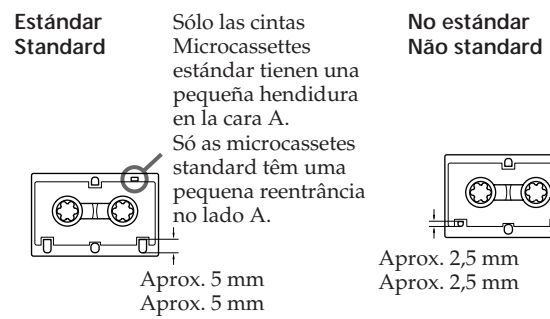
C



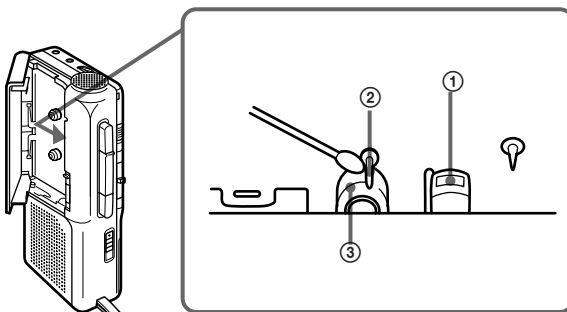
D



E



F



Bienvenido

Felicitaciones por adquirir la grabadora microcassettes de Sony. A continuación, se explican algunas de sus útiles funciones:

- El indicador BATT señala cuándo hay que cambiar las pilas.
- El sistema VOR (Voice Operated Recording) (sólo para M-529V/539V/579V) inicia y detiene la grabación automáticamente en función del sonido.
- Función de edición—Es posible iniciar la grabación directamente desde el modo de reproducción pulsando el botón **●**. Esta función resulta útil para corregir una parte previamente grabada.
- Contador de cinta (sólo para M-529V/539V/579V)
- Mecanismo de desconexión automática al final de la cinta (sólo en el modo de grabación/reproducción).
- Función de liberación de detención-pausa—El interruptor de pausa se libera automáticamente cuando el botón **■▲** no está pulsado, de modo que no pierde la posibilidad de grabación.

Fuentes de alimentación

Elija una de las siguientes fuentes de alimentación.

Pilas secas (consulte la figura A-ⓐ)

Compruebe que no se ha realizado ninguna conexión al jack DC IN 3V.

- Abra la tapa del compartimiento de las pilas.
- Inserte dos pilas R6 (tamaño AA) con la polaridad correcta y cierre la tapa.

Si la tapa del compartimiento de las pilas se desprende accidentalmente (consulte la figura A-ⓑ)

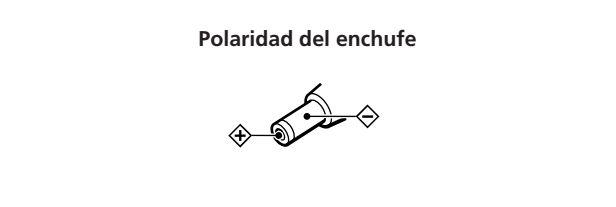
Colóquela como se indica.

Cuándo reemplazar las pilas
Sustituya las pilas por otras nuevas cuando la luz del indicador BATT (pila) se debilite y el sonido se distorsione.

<i>Duración de las pilas (aprox. horas)</i>	
Pilas	Grabación
Sony R6P (SR)	5,5
Alcalinas Sony LR6 (SG)	19
NC-AA (soló M-579V)	6,0

Alimentación doméstica (consulte la figura A-ⓒ)

Conecte el adaptador de alimentación CA a DC IN 3V y a la toma de red. Utilice el adaptador de CA (suministrado con M-579V solamente) o el adaptador de alimentación CA AC-E30HG (no suministrado). No utilice ningún otro tipo de adaptador CA.



Pilas recargables (suministradas sólo con M-579V)

Cargue las pilas recargables sólo con el adaptador de carga suministrado y el adaptador de potencia de CA. Estas pilas se pueden recargar aprox. 500 veces. Asegúrese de que carga las pilas recargables aprox. 8 horas antes de utilizarlas. La unidad se puede utilizar para grabar durante aproximadamente 6,0 horas con las pilas recargables a plena carga.

Para cargar las pilas (consulte la figura A-ⓓ)
El indicador de potencia del adaptador de carga permanece iluminado mientras se suministre corriente desde la toma mural.

Empleo (consulte la figura A-ⓔ)

- Notas**
- Utilice las dos pilas recargables suministradas sólo con el adaptador de carga que se suministra.
 - Si se producen distorsiones de sonido o demasiados ruidos, o si la unidad no funciona correctamente, desconéctela y recargue conjuntamente las dos pilas recargables.
 - Las pilas recargables se descargarán aunque no se utilicen. Asegúrese de que las carga antes de utilizarlas.
 - Recargue conjuntamente las dos pilas recargables. De lo contrario, no se podrá realizar la carga.
 - Asegúrese de que extrae las pilas recargables del adaptador de carga para evitar que se sobrecarguen (más de 20 horas) cuando la carga se haya completado.
 - Los procesos de carga y funcionamiento se deben realizar con una temperatura entre 5°C y 40°C (40°F y 104°F).
 - El adaptador de carga se calienta durante la carga, pero esto no es un signo de ningún problema.
 - No utilice ni deje el adaptador de carga en un lugar próximo a fuentes de calor ni en un lugar expuesto a la luz solar directa o a excesiva humedad.
 - Desenchufe el adaptador de carga de CA de la toma mural si no lo va a utilizar durante mucho tiempo.
 - No intente cargar pilas secas.

Grabación (consulte la figura B-ⓐ)

- (Soló para M-529V/539V/579V) Pulse el botón de restauración de TAPE COUNTER.
- Pulse **■▲** e inserte una microcassette estándar con la cara que desea grabar mirando hacia la tapa (consulte la figura **B-ⓑ**).
- Seleccione la velocidad de cinta que desee. 2,4 cm para obtener un sonido óptimo (recomendado para uso normal): Es posible realizar una grabación de 30 minutos utilizando las dos caras de una cinta Microcassette MC-30. 1,2 cm para mayor tiempo de grabación: Es posible realizar una grabación de 60 minutos utilizando las dos caras de una cinta Microcassette MC-30.
- (Sólo para M-529V/539V/579V) Sitúe VOR en la posición H, L u OFF. Si sitúa VOR en la posición H o L, la unidad inicia automáticamente la grabación del sonido y activa el modo de pausa si no hay sonido (de este modo, se ahorra cinta y pilas). H: Para grabar en reuniones o en lugares silenciosos y /o amplios. L: Para grabar un dictado o en un lugar ruidoso. Cuando el sonido no es suficientemente alto, seleccione la posición OFF, o es posible que la unidad no empiece a grabar.
- Pulse **●**. Se inicia la grabación. El nivel de grabación es fijo.

Para	Pulse o deslice
Detener la grabación	■▲
Iniciar la grabación durante la reproducción	● durante la reproducción (la unidad activa el modo de grabación)
Revisar una parte de cinta recién grabada	Empuje ◀◀CUE/▶▶REVIEW hacia ▶▶REVIEW durante la grabación. Suelte el botón para iniciar la reproducción.
Hacer una pausa en la grabación	Deslice ←PAUSE en la dirección de la flecha. Se apaga el indicador BATT
Extraer una cassette	■▲

Nota
Seleccione la velocidad de grabación de cinta de 2,4 cm si reproduce la cinta grabada en otra unidad. De otro modo, la calidad del sonido puede modificarse.

Observaciones sobre VOR (Voice Operated Recording) (sólo para M-529V/539V/579V)

- El sistema VOR depende de las condiciones ambientales. Si no obtiene los resultados deseados, sitúe VOR en la posición OFF.
- Al utilizar el sistema en un lugar ruidoso, la unidad permanecerá en el modo de grabación. Por el contrario, si el sonido es demasiado bajo, la unidad no comenzara a grabar. Sitúe VOR en la posición H (alto) o L (bajo) según las condiciones.

Para controlar el sonido
Conecte el auricular (no suministrado) al jack EAR. No es posible ajustar el volumen de control con VOL.

Para impedir que una cassette se grabe accidentalmente (consulte la figura B-ⓒ)
Rompa y retire las lengüetas de la cassette. Para volver a utilizar la cassette para grabar, cubra el orificio de la lengüeta con cinta adhesiva.

Reproducción de cintas (consulte la figura B-ⓐ)

- Inserte una cassette con la cara que va a reproducir mirando a la puerta del compartimiento.
- Seleccione la velocidad de cinta que se utilizó al grabarla.
- Pulse **◀**.
- Ajuste el volumen.

Para	Pulse o deslice
Detener la reproducción/detener el avance o rebobinado rápido de cinta*	■▲
Introducir una pausa en la reproducción	Deslice ←PAUSE en la dirección de la flecha. El indicador BATT se apaga.
Avanzar rápido	Deslice ◀◀CUE/▶▶REVIEW hacia ◀◀CUE durante la detención**.
Rebobinar	Deslice ◀◀CUE/▶▶REVIEW hacia ▶▶REVIEW durante la detención**.
Buscar hacia delante durante la reproducción (CUE)	Mantenga pulsado hacia abajo ◀◀CUE/▶▶REVIEW durante la reproducción y suéltelo en la posición que desee**.
Buscar hacia atrás durante la reproducción (REVIEW)	Mantenga pulsado hacia arriba ◀◀CUE/▶▶REVIEW durante la reproducción y suéltelo en la posición que desee**.

* Si deja la unidad encendida después de rebobinar la cinta, las pilas se consumirán con rapidez. Asegúrese de desactivar los botones **■▲**.

** La cinta se desplaza con mayor rapidez en el modo rebobinar/REVIEW que en el modo avanzar rápido/CUE.

Al final de la cinta
En el modo de grabación o reproducción, la cinta se detiene cuando llega al final y los botones bloqueados se liberan automáticamente (mecanismo de desconexión automática). Asegúrese de ajustar el botón **◀◀CUE/▶▶REVIEW** en la posición central después del avance rápido o el rebobinado.

Grabación/reproducción con el equipo conectado

Copia en otra grabadora de cintas (consulte la figura B-ⓓ)

Active el modo de reproducción de esta unidad y el modo de grabación en otra unidad.

Precauciones

Acerca de la alimentación

- Utilice la unidad sólo con 3V CC. Para utilizar CA, utilice el adaptador de CA recomendado para la unidad. No emplee otro tipo de adaptador. Si va a utilizar pilas, emplee dos pilas R6 (tamaño AA).
- La etiqueta en la que se indica el voltaje de funcionamiento, etc., está situada en la parte inferior de la unidad.

Acerca de la unidad

- Utilice sólo la cinta microcassette estándar **◀MICROCASSETTE™** con esta unidad. Las no estándar no pueden utilizarse porque la dimensión "L" (consulte la figura **B**) es diferente.
- No coloque la unidad cerca de fuentes de calor, ni en lugares sometidos a la luz directa del sol, al polvo excesivo o a golpes mecánicos.
- Si cae cualquier objeto sólido o líquido dentro de la unidad, retire las pilas o desconecte el adaptador de alimentación CA y haga que la revise personal cualificado antes de volver a utilizarla.
- Mantenga alejadas de la unidad tarjetas de crédito con códigos magnéticos o relojes de cuerda para prevenir un posible daño del imán utilizado para el altavoz.
- Si no va a utilizar la unidad durante varios días, retire las pilas para evitar daños causados por fugas y la corrosión consiguiente.
- Si la unidad no se ha utilizado durante varios días, active el modo de reproducción y deje que se caliente durante unos minutos antes de insertar una cinta.

Si tiene alguna duda o problema referentes a la unidad, póngase en contacto con el proveedor Sony más cercano.

Solución de problemas

Si sigue teniendo problemas después de revisarla, consulte al proveedor Sony más cercano.

No es posible insertar una cassette.

- La cassette se está insertando en la posición incorrecte (debe situarse en la puerta con la cara frente a usted).
- Ya se ha pulsado **◀**.

No es posible pulsar **●.**

- No hay ninguna cassette en el compartimiento.
- Se ha retirado la lengüeta de la cassette.

No es posible pulsar **● o **◀**.**

- La cinta ha llegado al final.
- Después de la desconexión automática, **←PAUSE** se desliza en la dirección de la flecha.

La unidad no funciona.

- Las pilas se han insertado con la polaridad incorrecta.
- Las pilas emiten una señal débil. Las baterías tienen muy poca potencia. Sustitúyalas.
- Se ha deslizado **←PAUSE** en la dirección de la flecha.
- El adaptador de alimentación CA o el cable de batería de automóvil sólo se ha conectado a la unidad y va a utilizar la unidad con las pilas de ésta.

El altavoz no emite sonido.

- Los auriculares están enchufados.
- El volumen está completamente al mínimo.

El sonido desaparece o aparece con ruido excesivo.

- El volumen está completamente al mínimo.
- Las pilas emiten una señal débil. Las baterías tienen muy poca potencia. Sustitúyalas.
- El cabezal está contaminado. Consulte “Mantenimiento”.

La velocidad de cinta es demasiado rápida o lenta en el modo de reproducción.

- Ajuste incorrecto del interruptor TAPE SPEED. Seleccione la misma velocidad que la utilizada para grabar.

La velocidad de cinta es más rápida que la de reproducción normal.

- El interruptor TAPE SPEED está situado entre las posiciones 1,2 cm y 2,4 cm.

No es posible grabar

- La conexión es incorrecta.
- Las pilas emiten una señal débil. Las baterías tienen muy poca potencia. Sustitúyalas.
- El cabezal está contaminado.
- Ajuste incorrecto del interruptor VOR (sólo para M-529V/539V/579V). Seleccione la posición H u OFF.

Se interrumpe la grabación.

- El interruptor VOR (sólo para M-529V/539V/579V) está en la posición H o L. Cuando no utilice VOR, sitúelo en OFF.

No es posible borrar completamente la grabación.

- El cabezal está contaminado.

Mantenimiento (consulte la figura B)

Para limpiar el cabezal y la pista de la cinta

Pulse **◀** y limpie el cabezal ①, el cabezal móvil ② y el cilindro de paso ③ con un bastoncillo de algodón humedecido en alcohol cada 10 horas de uso.

Para limpiar el exterior
Utilice un paño suave ligeramente humedecido en agua. No emplee alcohol, bencina ni diluyentes.

Especificaciones

Cinta
◀MICROCASSETTE™ (tipo de posición normal)
Sistema de grabación
2 pistas, 1 canal monofónico
Altavoz
Aprox. 3,6 cm de diámetro
Velocidad de cinta
2,4cm/s , 1,2cm/s
Rango de frecuencia
300 – 4.000 Hz
Salida
Jack de auriculares (minijack) para auriculares de 8 a 300 ohmios
Salida de alimentación (al 10% de distorsión armónica)
160 mW
Duración de las pilas (grabando)
Consulte “Fuentes de alimentación”.
Requisitos de alimentación
• Dos pilas R6 (tamaño AA): 3 V CC
• Adaptador de alimentación CA Sony AC-E30HG (no suministrado): 220/230 V CA, 50 Hz (modelo europeo) 120/220 V CA, 50/60 Hz (modelo para otros países) (sólo para M-427/427C /437/529V/539V)
Dimensiones (an/al/fn)
Aprox. 66,7 x 120,8 x 25 mm., incluidos componentes y controles.
Masa
Aprox. 160 g incluidas las pilas.
Accesorios suministrados
Cinta Microcassette MC-30 (1) (sólo para M-427C/437, M-529V (modelo europeo) y M-539V (modelo europeo))
Asa de mano (1) (sólo para M-529V/539V/579V)
Adaptador de alimentación (1) (sólo para M-579V)
Adaptador de carga (1) (sólo para M-579V)
Pilas recargables NC-AA, 1,2 V, 700 mAh, Ni-Cd (2) (sólo para M-579V)

El diseño y las especificaciones están sujetos a cambio sin previo aviso.

Accesorios opcionales
Cinta Microcassette MC-60, MC-30
Auriculares ME-81, ME-L82
Cable de conexión RK-G64HG (minienchufe a minienchufe con atenuador)
Adaptador de alimentación CA AC-E30HG

Bem-vindo!

Obrigado por ter adquirido o Microcassette-Corder da Sony. Algumas das suas principais características são:

- O indicador luminoso BATT informa quando devem ser substituídas as pilhas.
- O sistema VOR (Gravação Operada por Voz) (só nos modelos M-529V/539V/579V) inicia e pára a gravação automaticamente em resposta ao som.
- Função de Edição—Pode iniciar a gravação directamente do modo de reprodução carregando na tecla ● para corrigir uma parte anteriormente gravada.
- Contador de fita (só nos modelos M-529V/539V/579V)
- Mecanismo de fecho automático no fim da cassette (apenas nos modos gravação/reprodução)
- Função parar-pausa-libertar—O interruptor de pausa é automaticamente libertado quando se carrega na tecla ■▲ para o utilizador não perder nenhuma gravação.

Preparar as fontes de alimentação

Escolha uma das fontes de alimentação seguintes.

Pilhas secas(ver a Fig. A-ⓐ)

Certifique-se de que não está nada ligado ao jack DC IN 3V.

- Abra a tampa do compartimento das pilhas.
- Introduza duas pilhas R6 (tamanho AA), com a polaridade correcta e feche a tampa.

Se a tampa do compartimento das pilhas se soltar acidentalmente (ver a Fig. A-ⓑ)

Coloque-a como mostra a ilustração.

Quando deve substituir as pilhas

Substitua as pilhas por outras novas quando o indicador luminoso BATT (pilhas) ficar esbatido e o som estiver distorcido.

<i>Duração das pilhas (Horas aproximadas)</i>	
Pilas	Grabación
Sony R6P (SR)	5,5
Sony alkaline LR6 (SG)	19
NC-AA (só nos M-579V)	6,0

Corrente doméstica (ver a Fig. A-Ⓒ)

Ligue o adaptador de corrente CA a DC IN 3V e a uma tomada de parede. Utilize o adaptador de corrente CA (fornecido apenas com o modelo M-579V) ou o adaptador de corrente CA AC-E30HG (não fornecido). Não utilize nenhum outro adaptador de corrente CA.



Baterias recarregáveis (fornecidas apenas com o M-579V)

Carregue as baterias recarregáveis utilizando apenas o adaptador de carga fornecido e o adaptador de corrente CA. As baterias recarregáveis podem ser carregadas cerca de 500 vezes.

Carregue as baterias durante cerca de 8 horas antes de as utilizar. O aparelho pode ser utilizado para gravar durante aproximadamente 6,0 horas se as baterias estiverem completamente carregadas.

Para carregar (ver a Fig. A-Ⓓ)

O indicador de corrente do adaptador de carga mantém-se aceso enquanto este estiver ligado à tomada de parede.

Para utilizar (ver a Fig. A-ⓐ)

Notas

- Utilize as duas baterias recarregáveis apenas com o adaptador de carga fornecido.
- Se ocorrer uma distorção do som, houver demasiadas interferências ou se o aparelho não funcionar correctamente, desligue o aparelho e volte a carregar as duas baterias em conjunto.
- As baterias recarregáveis descarregam-se mesmo se não forem utilizadas. Antes de utilizar o aparelho verifique se as baterias estão carregadas.
- Recarregue as duas baterias em conjunto. Se não o fizer, a carga não pode ser efectuada.
- Verifique se retirou as duas baterias recarregáveis do adaptador de carga para evitar uma sobrecarga (mais de 20 horas) depois de terminada a operação de carga.
- A temperatura de carga e de funcionamento não deve exceder os °C a 40°C (40°F a 104°F).
- O adaptador de carga aquece durante a operação de carga. Isto não é sinal de avaria.
- Não utilize nem deixe o adaptador de carga num local perto de fontes de calor, sujeito à exposição directa dos raios solares ou excessivamente húmido.
- Desligue o adaptador de corrente CA da tomada de parede quando não tencionar utilizá-lo durante muito tempo.
- Não tente carregar pilhas secas.

Gravação (ver a Fig. B-ⓐ)

- (Só nos modelos M-529V/539V/579V) Carregue na tecla de reinicialização do TAPE COUNTER.
- Carregue em ■▲ e introduza uma microcassete standard com o lado onde vai iniciar a gravação voltado para a tampa (ver a Fig. B-ⓑ).
- Selecione a velocidade de fita desejada . 2,4cm para obter um som óptimo (recomendado na utilização normal): se utilizar ambos os lados da microcassete MC-30 pode fazer uma gravação de 30 minutos. 1,2cm para obter um tempo de gravação mais longo: se utilizar ambos os lados da microcassete MC-30 pode fazer uma gravação de 60 minutos.

- (Só nos modelos M-529V/539V/579V) Regule o VOR para H, L ou OFF. Se regular o VOR para H ou L, o aparelho inicia automaticamente a gravação do som e faz uma pausa quando o som deixa de se ouvir (poupa assim a fita e as pilhas). H: Para gravar em reuniões ou num local silencioso e/ou espaçoso. L: Para gravar quando estiver a ditar ou em locais barulhentos. Se o som não for suficientemente audível, regule o VOR para OFF, caso contrário o aparelho pode não dar início à gravação.
- Carregue na tecla ●. A gravação começa. O nível de gravação fica fixo.

Para	Carregue ou faça deslizar
Parar a gravação	■▲
Iniciar a gravação durante a reprodução	● durante a reprodução (a unidade entra em modo de gravação).
Rever a parte que acabou de gravar	Empurre para cima ◀◀CUE/▶▶REVIEW , na direcção de ▶▶REVIEW , durante a gravação. Liberte a tecla no ponto onde quer iniciar a reprodução.
Fazer uma pausa na gravação	← PAUSE na direcção da seta. O indicador luminoso BATT apaga-se.
Retirar uma cassette	■▲

Nota

Selecione a velocidade de fita de 2,4cm para gravar, se estiver a reproduzir a cassette noutro aparelho. Caso contrário, pode alterar a qualidade do som.

Notas sobre o VOR (Gravação Activada por Voz) (só nos modelos M-529V/539V/579V)

- O sistema VOR depende das condições ambientais. Se não conseguir obter os resultados desejados, regule o VOR para OFF.
- Quando utiliza o sistema num local ruidoso, o aparelho mantém-se no modo de gravação. Se o som for muito baixo, o aparelho não inicia a gravação. Regule VOR para H (alto) ou para L (baixo) dependendo das condições.

Como controlar o som

Ligue os auriculares (fornecidos) ao jack EAR. O volume do monitor não pode ser regulado com VOL.

Como evitar gravar acidentalmente sobre uma fita já gravada (ver a Fig. B-Ⓒ)

Quebre e retire as patilhas da cassette. Para voltar a utilizar a cassette para gravar, tape o orifício da patilha com fita adesiva.

Reproduzir uma cassette (ver a Fig. Ⓖ)

- Introduza uma cassette com o lado que quer reproduzir em primeiro lugar voltado para a tampa.
- Selecione a mesma velocidade que utilizou na gravação.
- Carregue em ◀.
- Regule o volume.

Para	Carregue ou faça deslizar
Parar a reprodução/ parar o avanço rápido ou rebobinar*	■▲
Fazer uma pausa na reprodução	← PAUSE na direcção da seta. O indicador luminoso BATT apagase.
Avanço rápido	◀◀CUE/▶▶REVIEW na direcção do ◀◀CUE durante a paragem.**
Rebobinar	◀◀CUE/▶▶REVIEW na direcção do ▶▶REVIEW durante a paragem.**
Pesquisar para a frente durante a reprodução (CUE)	Mantenha a tecla ◀◀CUE/▶▶REVIEW para baixo durante a reprodução e solte-a no ponto pretendido.**
Pesquisar para trás durante a reprodução (REVIEW)	Mantenha a tecla ◀◀CUE/▶▶REVIEW para cima durante a reprodução e solte-a no ponto pretendido.**

* Se deixar o sistema ligado depois da cassette ter sido rebobinada, as pilhas gastam-se rapidamente. Não se esqueça de carregar na tecla ■▲.

** A fita move-se mais rapidamente no modo rebobinar/REVIEW do que no modo avanço rápido/CUE.

No fim da fita

Em modo de gravação ou de reprodução, a cassette pára no fim da fita e as teclas bloqueadas são automaticamente libertadas (mecanismo de fecho automático).

Depois do avanço rápido ou da rebobinagem, verifique se voltou a colocar a tecla ◀◀CUE/▶▶REVIEW na posição central.

Gravar/reproduzir com o equipamento ligado

Montagem noutro gravador de cassetes (ver a Fig. Ⓓ)

Regule este aparelho para modo de reprodução e outro gravador de cassetes para modo de gravação.

Precauções

De ligação

- A unidade só deve funcionar com CC de 3V. Para o aparelho funcionar com CA, utilize o adaptador CA recomendado para a mesma e não outro de um tipo diferente. Para a unidade funcionar com pilhas, utilize 2 pilhas R6 (tamanho AA).
- Na parte inferior da unidade encontra-se a placa de identificação com a indicação da voltagem de funcionamento, etc.

Sobre o aparelho

- Utilize apenas (MICROCASSETTE)[™] (microcassetes standard) com este aparelho. Não podem ser utilizadas cassetes não standard porque a dimensão “L” é diferente (ver fig. Ⓔ).
- Não deixe o aparelho perto de fontes de calor, ou num local onde esteja sujeita a luz solar directa, poeira excessiva ou choques.

- Se deixar cair um objecto ou líquidos dentro da unidade, retire as pilhas ou desligue o adaptador CA e, antes de voltar a utilizá-o, mande-o verificar por um técnico qualificado.
- Mantenha o aparelho afastada de cartões de crédito com código magnético, de relógios de pulso com corda, etc., a fim de evitar possíveis danos provocados pelo íman do altifalante.
- Quando não tiver que utilizar o aparelho durante um período de tempo longo, retire as pilhas para evitar danos causados pelo derramamento do respectivo líquido e subsequente corrosão.
- Se o aparelho tiver estado inactivo por um período de tempo longo, antes de introduzir uma cassette, regule-o para modo de reprodução e deixe-a aquecer durante alguns minutos.

Se tiver dúvidas ou problemas em relação o aparelho, entre em contacto com o agente da Sony mais próximo.

Resolução de problemas

Se, depois de proceder às verificações a seguir, algum problema persistir, entre em contacto com o agente da Sony mais próximo.

Não é possível introduzir a cassette.

- A cassette foi introduzida de forma incorrecta (A cassette deve ser introduzida dentro da tampa, com a face da fita voltada para si).
- Já carregou em ◀.

Não é possível carregar na tecla ●.

- Não há nenhuma cassette no respectivo compartimento.
- A patilha da cassette foi removida.

Não é possível carregar na tecla ● ou ◀.

- A fita chegou ao fim.
- Depois do fecho automático, a tecla ←PAUSE foi deslizada na direcção da seta.

O aparelho não funciona.

- As pilhas foram introduzidas com a polaridade incorrecta.
- As pilhas estão gastas. As pilhas estão fracas. Substitua ambas as pilhas por pilhas novas.
- A tecla ←PAUSE foi deslizada na direcção da seta.
- Vai utilizar o aparelho com as pilhas mas tem o cabo para bateria ou o adaptador de corrente CA ligado ao aparelho.

O altifalante não emite nenhum som.

- Os auriculares estão ligados.
- O volume está regulado para o mínimo.

O som desaparece ou é emitido com ruído excessivo.

- O volume está regulado para o mínimo.
- As pilhas estão fracas. As pilhas estão fracas. Substitua ambas as pilhas por pilhas novas.
- A cabeça está suja. Consulte a “Manutenção”.

A velocidade da fita está muito rápida ou muito lenta no modo de reprodução.

- TAPE SPEED não está correctamente regulado. Regule-o para a mesma velocidade utilizada na gravação.

A velocidade da fita é mais rápida do que a velocidade normal de reprodução

- O comutador TAPE SPEED regulado entre as posições 1,2 cm e 2,4 cm.

Não é possível gravar.

- A ligação está incorrecta.
- As pilhas estão fracas. As pilhas estão fracas. Substitua ambas as pilhas por pilhas novas.
- A cabeça está contaminada.
- VOR está incorrectamente regulado (só nos modelos M-529V/539V/579V). Regule-o para H ou OFF.

A gravação foi interrompida.

- VOR está regulado para H ou L (só nos modelos M-529V/539V/579V). Quando não estiver a utilizar VOR, regule-o para OFF.

Não é possível apagar completamente a gravação.

- A cabeça está suja.

Manutenção (ver a Fig. Ⓔ)

Limpeza das cabeças e do percurso da fita
Carregue na tecla ◀ e, utilizando um algodão humedecido em álcool, limpe a cabeça ①, o cabrestante ② e a roda dentada ③, após cada 10 horas de utilização.

Limpeza do exterior

Utilize um pano macio ligeiramente humedecido em água. Não utilize álcool, benzina nem diluente.

Especificações

Cassete
(MICROCASSETTE) [™] (tipo posição normal)
Sistema de gravação
2 pistas 1 canal mono
Altifalante
Aprox. 3,6cm de diâmetro
Velocidade da fita
2,4cm/s, 1,2cm/s
Frequência
300 – 4.000 Hz
Saída
Jack de auriculares (minijack) para auriculares de 8 – 300 ohms.
Saída de corrente (10% de distorção harmónica)
160 mW
Duração das pilhas (gravação)
Veja a secção “Utilização das Fontes de Alimentação”.
Requisitos de energia
• Duas pilhas R6 (tamanho AA): 3V CC
• Adaptador CA AC-E30HG da Sony (não fornecido): 220/230 V CA, 50 Hz (modelo europeu)
120/220 V CA, 50/60 Hz (modelo para os outros países) (para os modelos M-427/427C /437/529V/539V)
Dimensões (l/a/p)
Aprox. 66,7 × 120,8 × 25mm, incluindo controlos e peças salientes
Peso
Aprox. 160gr, incluindo as pilhas
Acessórios fornecidos (só no modelo europeu)
Microcassete MC-30 (1) (só nos modelos M-427C/437, M-529V (modelo europeu) e M-539V (modelo europeu))
Pulseira (1) (só nos modelos M-529V/539V/579V)
Adaptador CA (1) (só nos modelos M-579V)
Carregador (1) (só nos modelos M-579V)
Pilhas recarregáveis NC-AA, 1,2 V, 700 mAh, Ni-Cd (2) (só nos modelos M-579V)

A concepção e as especificações estão sujeitas a alteração sem aviso prévio.

Acessórios opcionais
Microcassete MC-60, MC-30
Auriculares ME-81, ME-L82
Cabo de ligação RK-G64HG (minificha a minificha com atenuador)
Adaptador CA AC-E30HG